

8.4" Industrial LCD Kit

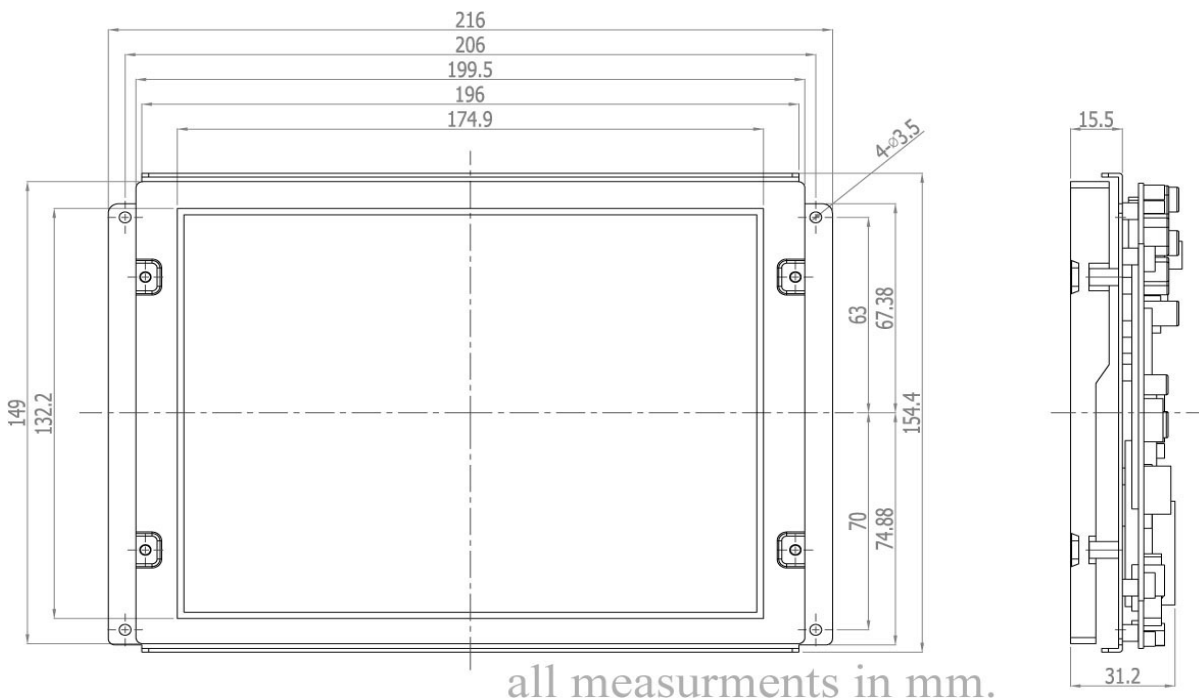
Product Specifications

LCD Panel Size	8.4 inch - TFT
Resolution	640 x480
Format	4:3 Standard
Brightness	400 cd/m2
Viewing Angle	NA
Contrast Ratio	450:1
Backlight Type	CCFL
Lamp Life Time	50,000 hrs
Operating Temp C°	0° - 50° C
Input Video Signals	Optional VGA/Video Composite/Audio/5wire touch/4- wire touch
Input Audio Signals	LT/RT - No speaker (optional)
Output Video Signals	NA
Output Audio Signals	LT/RT - No speaker (optional)
Physical Dimensions	21.6cm x 14.9cm x 3.1cm
Physical Weight	NA
Input Voltage	AC 100-240V 50/60hz

Other Features/ Options

Picture in Picture - PIP
 Split Screen option
 VGA input/ 4/5 wire touch
 Remote Control

Client Notes



Sales Rep:

Interlink Americas
 Tel: 562.366.4253 | Fax: 562 366 8428

One World Trade Center 8th Floor
 Long Beach | CA 90831 | USA